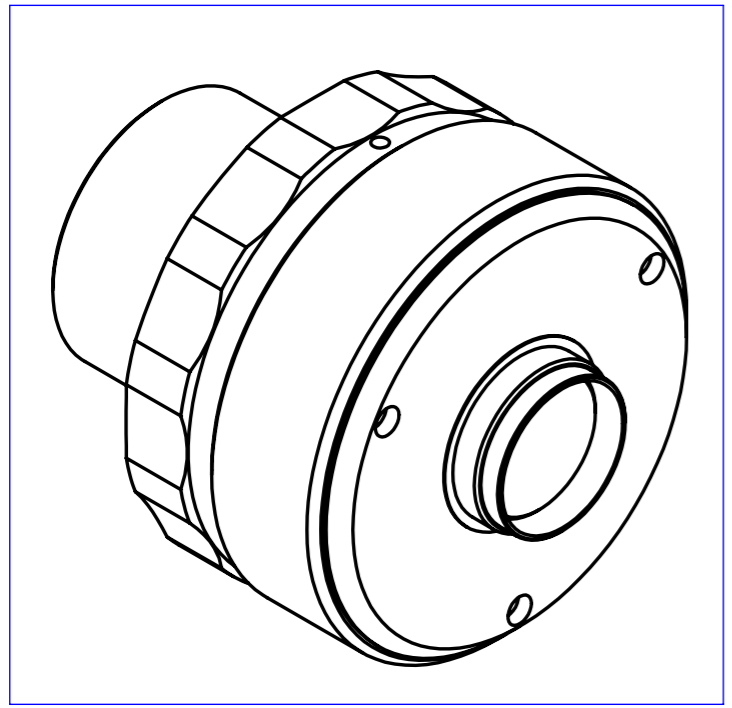
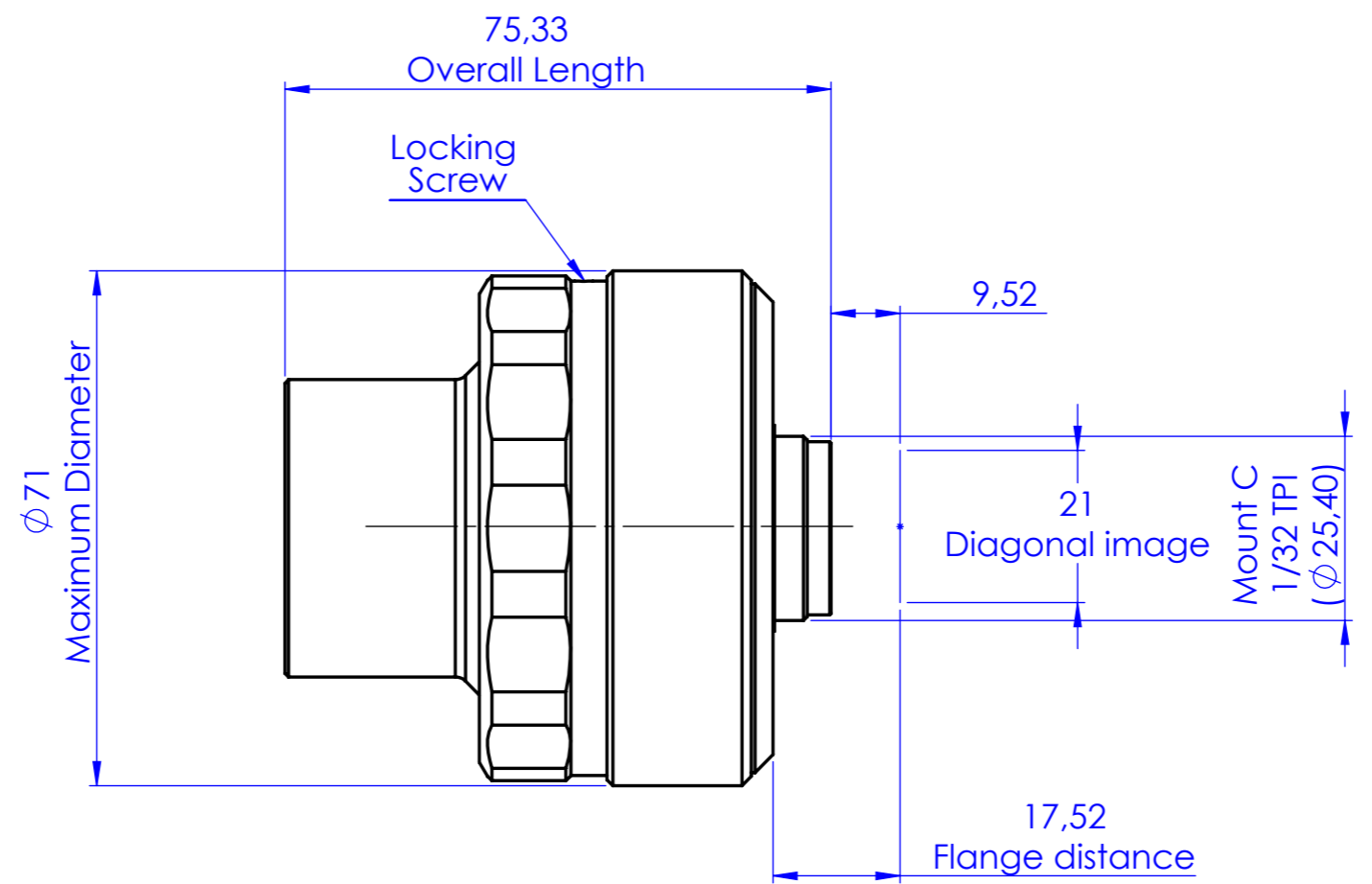


Rev No.	Description	Date	Name

Material	N.A.		Mass	400 g	Scale	1:1	
Surface treatment	N.A.		Part No.	CO71265			
Geometrical tolerance (ISO 2768-2)			Class	K	Undimensioned bevels	0,5x45°	
Linear tolerance (ISO 2768-2)			Class	m	Undimensioned radii	R 0,5	
0,5 ±3	>3± 6	>6± 30	>30± 120	>120 ±400	>400± 1000	>1000 ±2000	>2000 ±4000
±0,1	±0,1	±0,2	±0,3	±0,5	±0,8	±1,2	±2
<p>all dimensions are in mm</p>			Date	Name	Drawing No.	Sheet	
			Designed	17/07/2012	Vismara	DP71265-A	1/2
			Drawn	08/03/2016	Rodella		
<p>OPTO ENGINEERING S.r.l. - Mantova Italy - Tel. +39 0376 699111 - www.opto-engineering.com</p>			Checked		<i>Secret and confidential - All rights reserved - No copy, dissemination or circulation is allowed unless specifically authorized in writing by OPTO ENGINEERING S.r.l. - Any violation shall be legally prosecuted.</i>		

1 2 3 4 5 6 7 8

Rev No.	Description	Date	Name



Material	N.A.		Mass	460 g	Scale	1:1
Surface treatment	N.A.		Part No.	CO71265		
Geometrical tolerance (ISO 2768-2)			Class	K	Undimensioned bevels	0,5x45°
Linear tolerance (ISO 2768-2)			Class	m	Undimensioned radii	R 0.5
0.5 ±3	>3± 6	>6± 30	>30± 120	>120 ±400	>400± 1000	>1000 ±2000
±0.1	±0.1	±0.2	±0.3	±0.5	±0.8	±1.2
Date			Name		Drawing No.	
Designed 17/07/2012			Vismara		SW05020	
Drawn 09/03/2016			Rodella		DP71265-A	
Checked					Sheet 2/2	
<p>all dimensions are in mm</p> <p><b>OPTO ENGINEERING S.r.l. - Mantova Italy - Tel. +39 0376 699111 - www.opto-engineering.com</b></p> <p><i>Secret and confidential - All rights reserved - No copy, dissemination or circulation is allowed unless specifically authorized in writing by OPTO ENGINEERING S.r.l. - Any violation shall be legally prosecuted.</i></p>						

1 2 3 4 5 6 7 8

0 1 2 3 4 5 6 7 8 9 10